

Safety Isolation Transformers

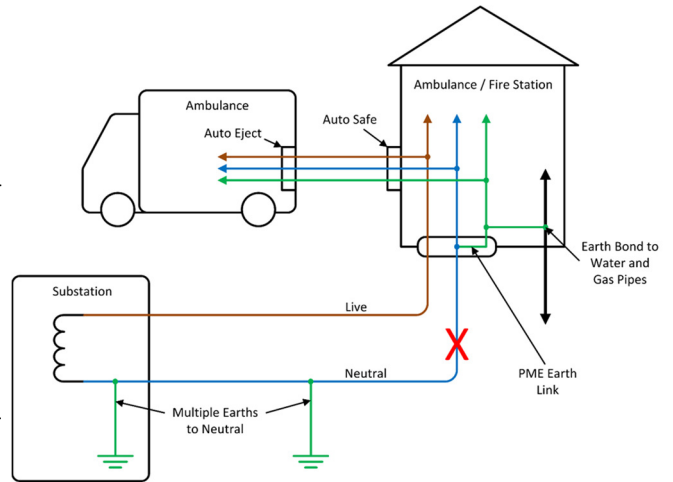
To meet requirements for Electrical Installations:

BS 7671:2008 Amendment 3:2015, January 2015.

In vehicle mounted Isolating Transformers available in 110V, 230V, Step Up, Step Down and Dual Voltage Input.

Section 717 has a greater emphasis to protect crews. The regulations have highlighted potential issues with vehicle charging locations that have PME (Protective Multiple Earthing) - **indoors and outdoors**.

Should a break occur in the neutral conductor (X) the electrical system then has no earth, so anything connected to the earth wiring in the building e.g. the plumbing, would receive live mains potential. This would also include any vehicle connected because it is sharing the same earth connection, thereby rendering the vehicle body live to 230V, including vehicles that operate at 110V. Any person standing on the ground (earth) who then touches the vehicle could get a shock as they would form a new "path to ground" earth connection. With a wide variety of indoor, outdoor, permanent and temporary charging locations being utilised, it can be difficult to be 100% positive of the earthing arrangement at every location.



The solution however is quite simple and low cost; installing an Isolating Transformer in the vehicle.

This allows the vehicle to be connected to any supply type (including PME earthing), as the isolation transformer effectively means that the vehicle has a completely independent electrical supply. The vehicle earth will be part of the vehicle only. There will be no physical connection to the building supply at all, thus ensuring compliance and electrical safety for crews.

All units also incorporate input MCB, input rush protection and output double pole RCBO.

Our range of Isolating Transformers are available in various sizes to suit voltage applications:

Input 110V - Output 110V

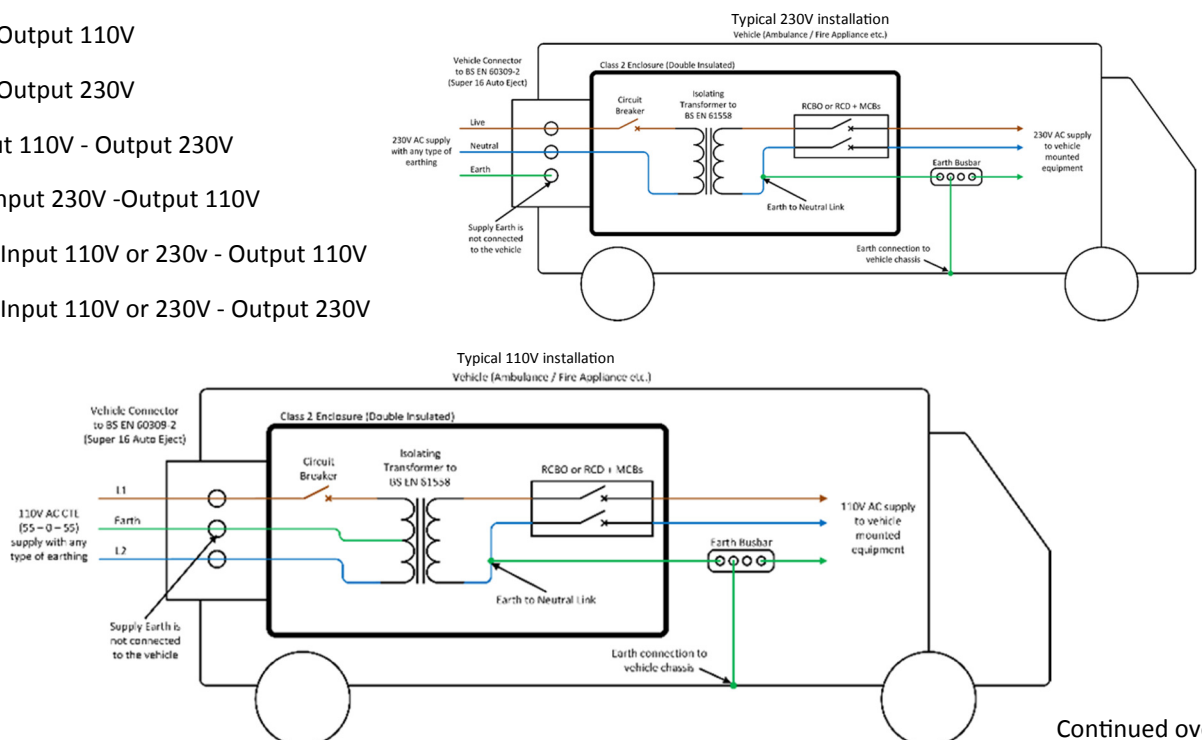
Input 230V - Output 230V

Step Up: Input 110V - Output 230V

Step Down: Input 230V - Output 110V

Dual Voltage Input 110V or 230V - Output 110V

Dual Voltage Input 110V or 230V - Output 230V



Continued over

Safety Isolation Transformers



Model	Voltage	Amps	Transformer Size	Warranty	Weight Kg	Dimensions LxWxH
110V to 110V						
092-119-110-10	110V to 110V	10A	1250VA	5 Years	8.0	289x200x107
092-119-110-16	110V to 110V	16A	1750VA	5 Years	15.0	331x240x133
092-119-110-20	110V to 110V	20A	2300VA	5 Years	15.0	331x240x133
092-119-110-32	110V to 110V	32A	3600VA	5 Years	28.0	365x280x145
230V to 230V						
092-119-230-5	230V to 230V	5A	1250VA	5 Years	8.0	289x200x107
092-119-230-10	230V to 230V	10A	2300VA	5 Years	15.0	331x240x133
092-119-230-16	230V to 230V	16A	3600VA	5 Years	28.0	365x280x145
110V to 230V						
092-119-110230-5	110V to 230V	5A	1250VA	5 Years	8.0	289x200x107
092-119-110230-8	110V to 230V	8A	1750VA	5 Years	15.0	331x240x133
092-119-110230-10	110V to 230V	10A	2300VA	5 Years	15.0	331x240x133
092-119-110230-16	110V to 230V	16A	3600VA	5 Years	28.0	365x280x145
230V to 110V						
092-119-230110-10	230V to 110V	10A	1250VA	5 Years	8.0	289x200x107
092-119-230110-16	230V to 110V	16A	1750VA	5 Years	15.0	331x240x133
092-119-230110-20	230V to 110V	20A	2300VA	5 Years	15.0	331x240x133
092-119-230110-32	230V to 110V	32A	3600VA	5 Years	28.0	365x280x145
Dual Input Voltage to 110V						
092-119-DV110-10	110V or 230V to 110V	10A	1250VA	5 Years	8.0	289x200x107
092-119-DV110-16	110V or 230V to 110V	16A	1750VA	5 Years	15.0	331x240x133
092-119-DV110-20	110V or 230V to 110V	20A	2300VA	5 Years	15.0	331x240x133
092-119-DV110-32	110V or 230V to 110V	32A	3600VA	5 Years	28.0	365x280x145
Dual Input Voltage to 230V						
092-119-DV230-5	110V or 230V to 230V	5A	1250VA	5 Years	8.0	289x200x107
092-119-DV230-8	110V or 230V to 230V	8A	1750VA	5 Years	15.0	331x240x133
092-119-DV230-10	110V or 230V to 230V	10A	2300VA	5 Years	15.0	331x240x133
092-119-DV230-16	110V or 230V to 230V	16A	3600VA	5 Years	28.0	365x280x145